

ECOMAX A90 FIREPLACE

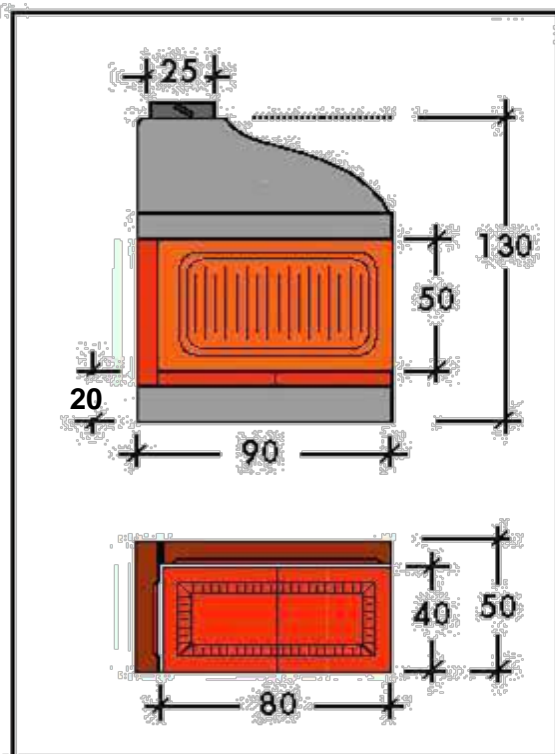
TECHNICAL DETAILS

MIN. ROOM AREA	Mq.	12
HEAT RATING	KW	15,7
FUEL CONSUMPTION	Kg/h	4
ENERGY EFFICIENCY	%	30
WEIGHT	Kg.	248
AIR INLET VENT	cm	12x12
EXHAUST SMOKE VALVE	cm /diam.	25
MAX FUEL CAPACITY	Kg.	6
RECOMMENDED FUEL	Dry wood	

CHIMNEY FLUE DIMENSIONS

Chimney height 3 mt.	Chimney height 3/4,5 mt	Chimney height 4,5/7 mt	Chimney height oltre 7 mt
35x35	30x30	25x25	20x20
or	or	or	or
diam. 35	diam. 30	diam. 25	diam. 20

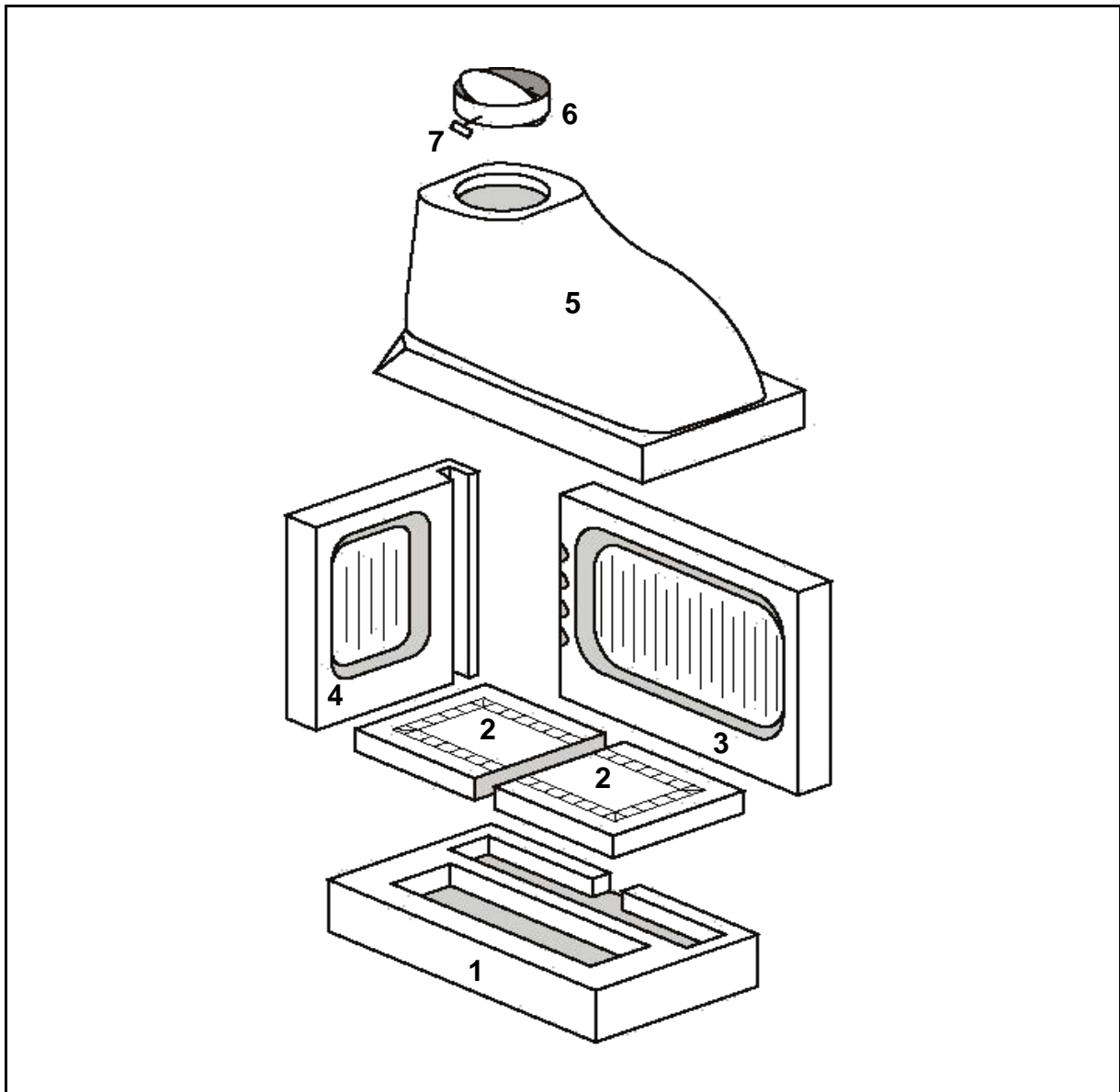
FIREPLACE ECOMAX A 90 DIMENSIONS



PARTS LIST			
NO.	CODE	NO. PCS	DESCRIPTION
1	XCBEA90	1	ECOMAX A 90 CLAY BASE
2	XCPEA90	2	ECOMAX A 90 REFRACTORY FLOOR
3	XCFEA90	1	ECOMAX A 90 REFARCTORY REAR HEART PIECE
4	XCSEA90	1	ECOMAX A 90 REFRACTORY SIDE HEART PIECE
5	XCCEA90	1	ECOMAX A 90 CLAY HOOD
6	YVALD25	1	VALVE DIAM. 25
7	YMANFER	1	VALVE HANDLE

The numbers above correspond to those in the diagram below.

ECOMAX A 90 FIREPLACE ASSEMBLY DIAGRAM



Assembly of the Fireplace should follow the numbered sequence above.



PLEASE SAVE THIS DOCUMENT FOR FUTURE REFERENCE