

GHISAFORT CENTONE FIREPLACE

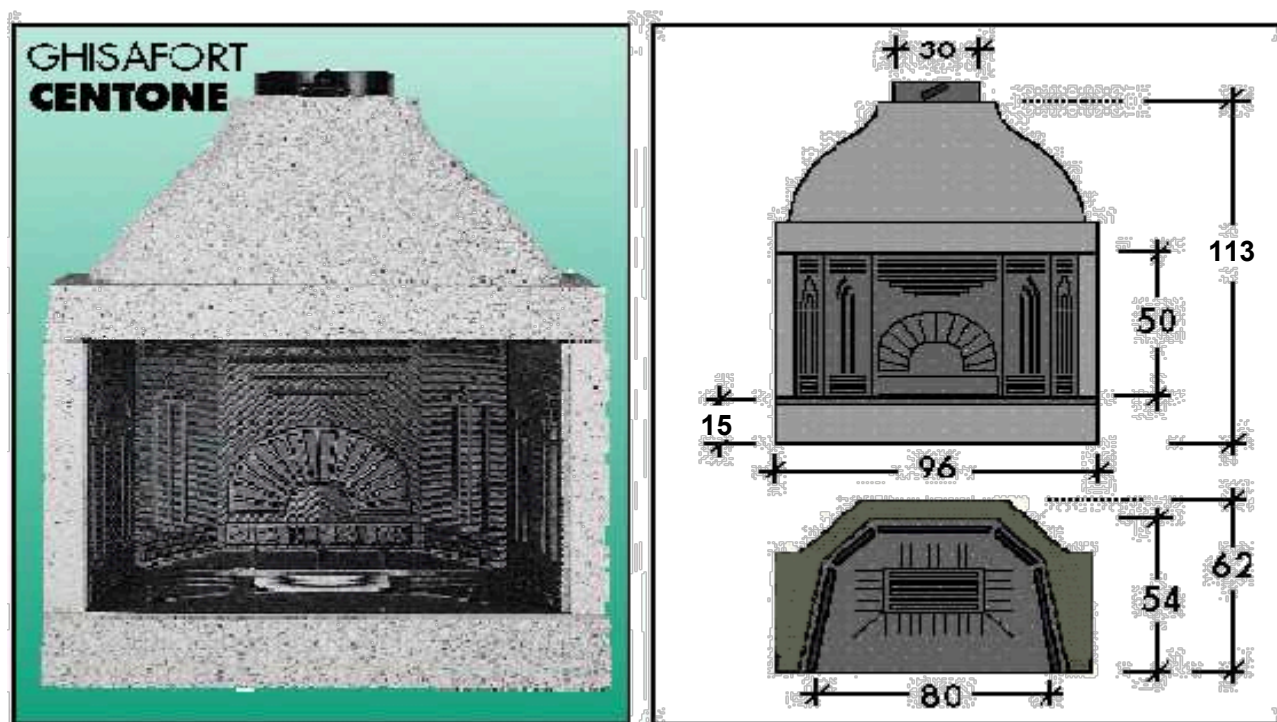
TECHNICAL DETAILS

MIN. ROOM AREA	Mq.	16
HEAT RATING	Kcal/h	15.750
FUEL CONSUMPTION	Kg/h	4,5
ENERGY EFFICIENCY	Kcal/h	5.200
WEIGHT	Kg.	245
AIR INLET VENT	cm	15x15
EXHAUST SMOKE VALVE	cm /diam.	30
MAX FUEL CAPACITY	Kg.	6,5
RECOMMENDED FUEL	Dry wood	

CHIMNEY DIMENSIONS

Chimney height 3 mt.	Chimney height 3/4,5 mt	Chimney height 4,5/7 mt	Chimney height oltre 7 mt
35x35	30x30	25x25	20x20
or	or	or	or
diam. 35	diam. 30	diam. 25	diam. 20

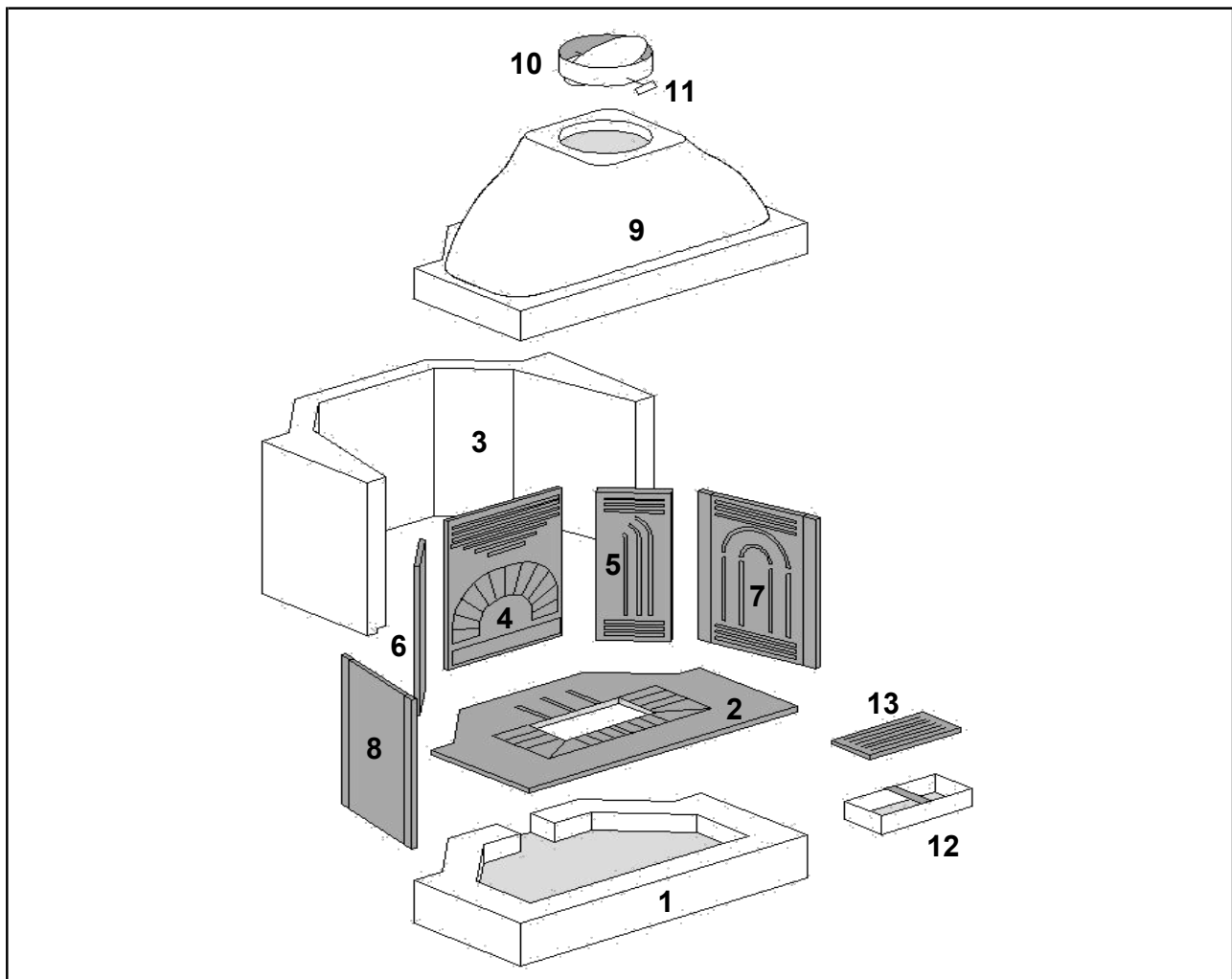
GHISAFORT CENTONE DIMENSIONS



PARTS LIST			
N.	COD.	N. PCS	DESCRIPTION
1	XCBGFCE	1	GHISAFORT CENTONE CLAY BASE
2	XCBARCE	1	GHISAFORT CENTONE REFRACTORY FLOOR
3	XCFGFCE	1	GHISAFORT CENTONE CLAY REAR AND SIDES
4	XCGFSCM	1	GHISAFORT CENTONE CAST IRON REAR
5	XCGSPSC	1	GHISAFORT CENTONE CAST IRON REAR RIGHT
6	XCGSPSS	1	GHISAFORT CENTONE CAST IRON REAR LEFT
7	XCSDGAG	1	GHISAFORT CENTONE CAST IRON RIGHT
8	XCSSGAC	1	GHISAFORT CENTONE CAST IRON LEFT
9	XCCGFCE	1	GHISAFORT CENTONE CLAY HOOD
10	YVALD30	1	VALVE DIAM. 25
11	YMANFER	1	VALVE HANDLE
12	YCASGHI	1	ASH DRAWER
13	XCGGSCM	1	CAST IRON GRID

The numbers above correspond to those in the diagram below.

GHISAFORT CENTONE ASSEMBLY DIAGRAM



Assembly of the Fireplace should follow the numbered sequence above.



CONSERVARE CON CURA IL PRESENTE SCHEMA DI MONTAGGIO.