

ECOMAX CENTONE FIREPLACE

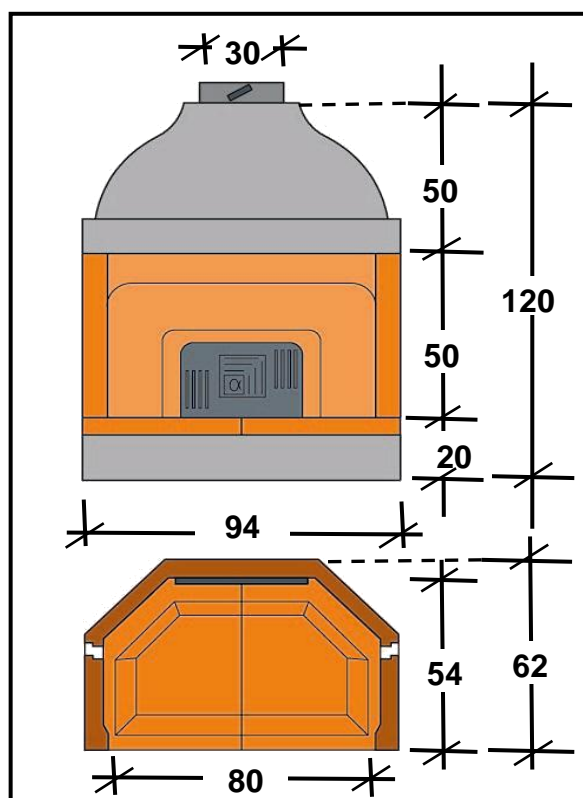
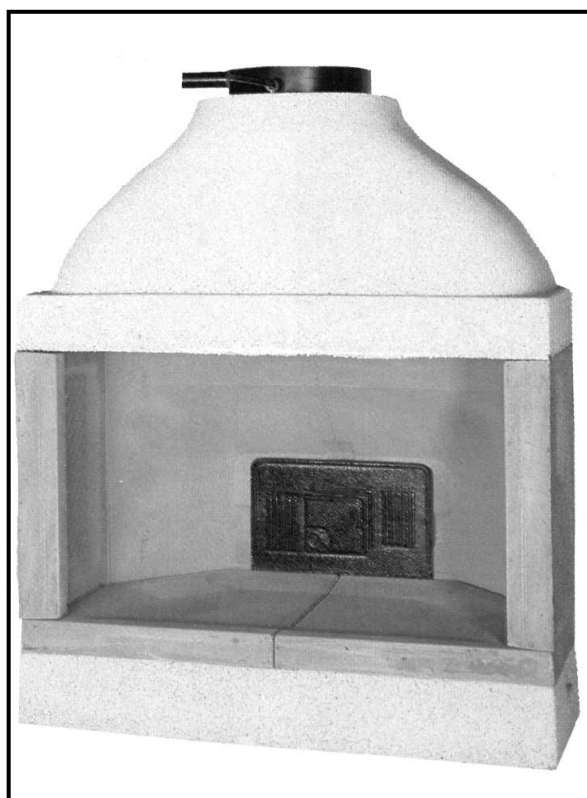
TECHNICAL DETAILS

MINIMUM AREA	Mq.	16
MAXIMUM POWER	Kcal/h	15.750
WOOD CONSUPTION	Kg/h	4.5
THERMICAL EXCHANGE	Kcal/h	5.200
WEIGHT	Kg.	267
AIR INTAKE	cm	15x15
CHIMNEY EXIT	cm /diam.	30
MAXIMUM CONSUPTION FUEL	Kg	6.5
SUGGESTED FUEL	Dry Wood	

CHIMNEY EXIT

CHIMNEY HIGH MT 3	CHIMNEY HIGH MT 3/4	CHIMNEY HIGH MT 4/7	CHIMNEY HIGH MORE THEN 7 MT
35x35	30x30	25x25	20x20
OR	OR	OR	OR
diam. 35	diam. 30	diam. 25	diam. 20

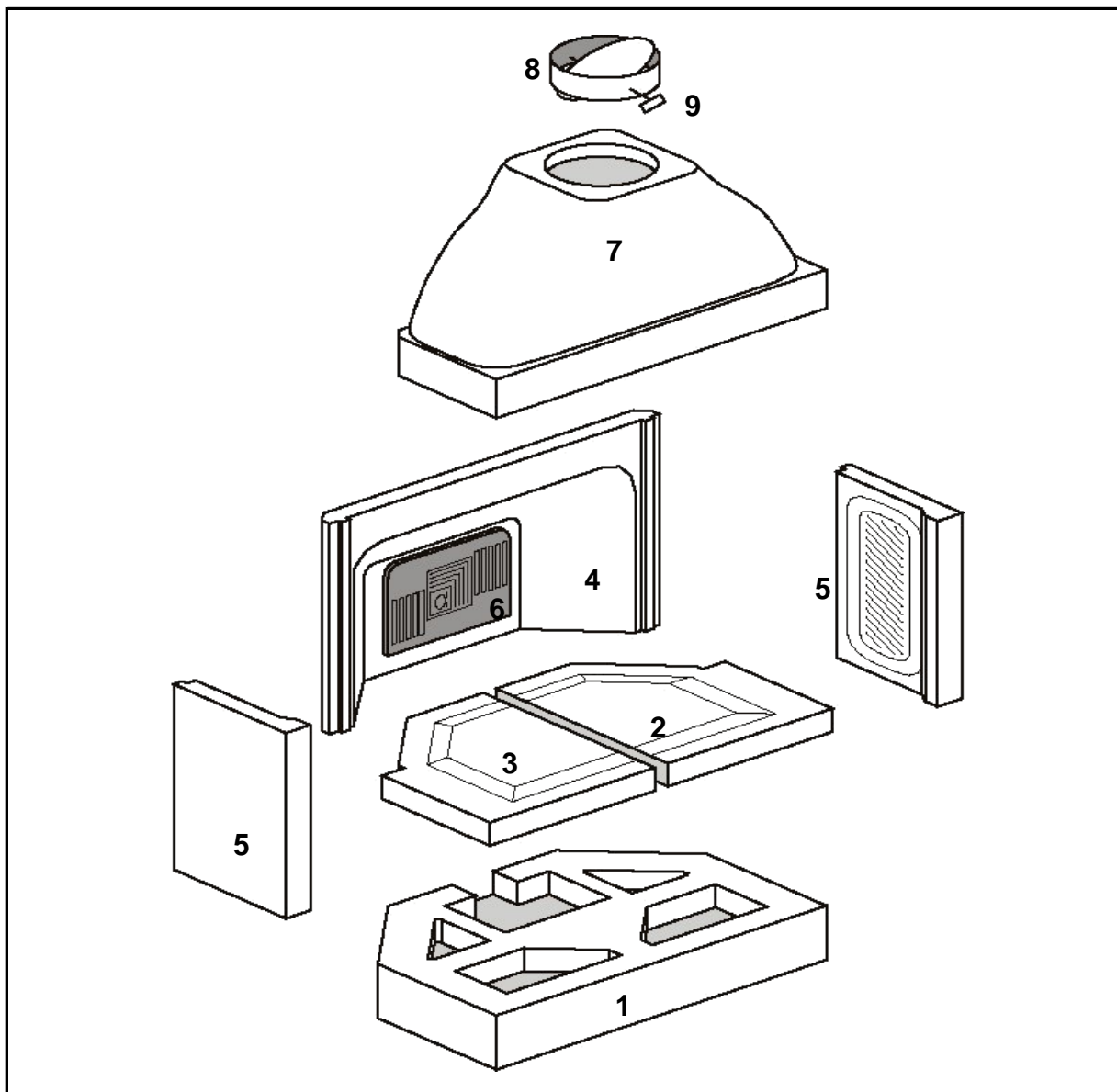
ECOMAX CENTONE FIREPLACE DIMENSIONS



INSTALLATION INSTRUCTIONS - SPARE PARTS LIST			
N.	CODE	N. PIECE	DESCRIPTION
1	XCBECOC	1	ECOMAX CENTONE FIREPLACE - CLAY BASE
2	XCPDECC	1	ECOMAX CENTONE FIREPLACE - REFRACTORY RIGHT FLOOR
3	XCPSECC	1	ECOMAX CENTONE FIREPLACE - REFRACTORY LEFT FLOOR
4	XCFECOC	1	ECOMAX CENTONE FIREPLACE - BACK
5	XCSECOC	1	ECOMAX CENTONE FIREPLACE - REFRACTORY SIDES
6	XCGHFPQ	1	CAST IRON BACK
7	XCCOCOC	1	ECOMAX CENTONE FIREPLACE - CLAY CAP
8	YVALD30	1	VALVE CM. 30
9	YMANFER	1	IRON HANDLE FOR VALVE

NUMBERS CORRISPONDS TO THE INSTALLATION SEQUENCE

ECOMAX CENTONE FIREPLACE - INSTALLATION INSTRUCTIONS



PLEASE FOLLOW THE NUMBER SEQUENCE FON INSTALLATION



PLEASE KEEP THE INSTALLATION INSTRUCTIONS